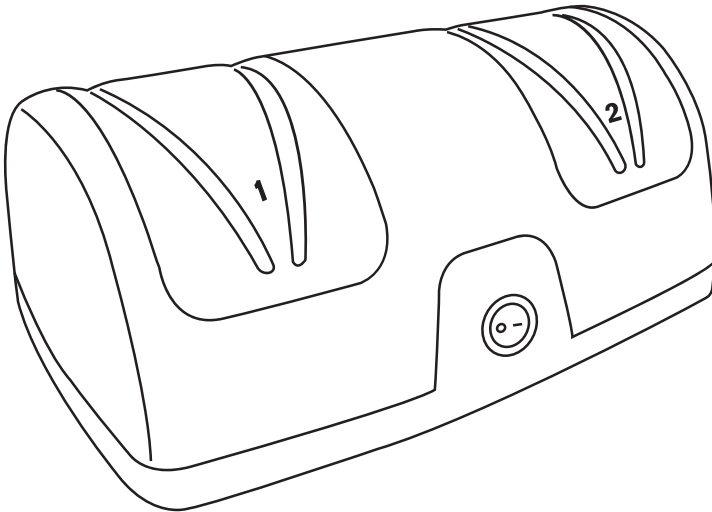


SECURA®

2-STAGE KNIFE SHARPENING SYSTEM

MODEL: 28D-1

USER MANUAL



BEFORE USE, PLEASE READ AND FOLLOW ALL IMPORTANT SAFEGUARDS,
WARNINGS, CAUTIONS AND OPERATING INSTRUCTIONS.

www.thesecura.com

SECURA®

Copyright © 2016 – Secura Inc. - All rights are reserved.

The material in this publication is protected under International and Federal Copyright Laws and Treaties, and as such, any unauthorized reprint or use of this material is strictly prohibited.

No part of this book may be reproduced or transmitted in any form without the written permission of the author, except for the inclusion of brief quotations in a review.

Reproduction or translation of any part of this work without the permission of the copyright holder is against the law.

GENERAL INFORMATION

Reading and storing the user manual



This user manual accompanies this 2-Stage Knife Sharpening System. It contains important information on startup and handling.

For improved readability, the 2-Stage Knife Sharpening System will be referred to only as the “knife sharpener” below.

Before using the knife sharpener, read the user manual carefully. This particularly applies to the safety notes. Failure to heed this user manual may result in severe injury or damage to the knife sharpener or yourself.

Store the user manual for future use. If you pass the knife sharpener on to third parties, please be sure to include this user manual.

Explanation of symbols

The following symbols and signal words are used in this user manual, on the knife sharpener or on the packaging.

 **WARNING!**

This signal symbol/word designates a hazard with moderate degree of risk which may lead to death or severe injury if not avoided.

 **CAUTION!**

This signal symbol/word designates a hazard with low risk that, if not avoided, may result in minor or moderate injury.

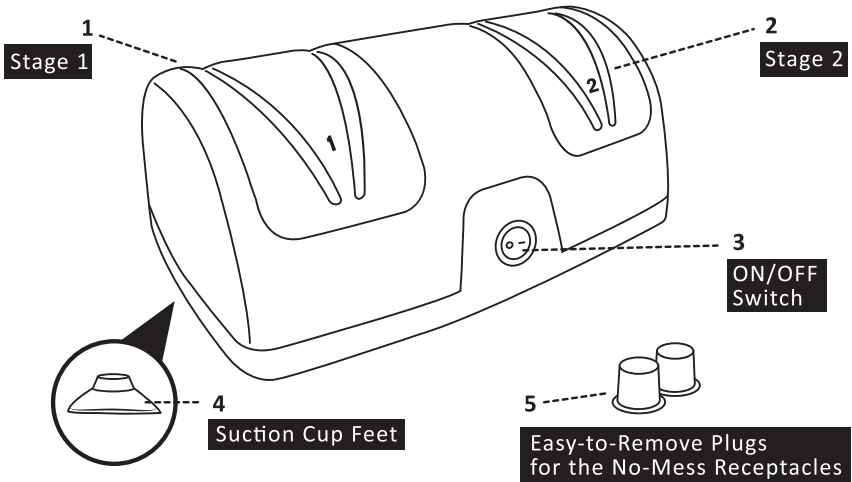
NOTICE!

This signal word warns against potential damages to property.



This symbol provides you with useful supplementary information on assembly or operation.

PARTS LIST



1. Stage 1: Sharpens & rejuvenates the edge and reshapes the angle
2. Stage 2: Hones & polishes the blade completing the sharpening process
3. Power ON/OFF button
4. 3 Strong, non-slip suction feet hold sharpener firmly in place
5. No-mess receptacles capture metal filings and shards

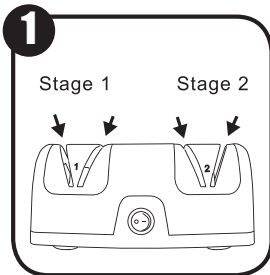
⚠ CAUTION!

Do not run fingers along edge of knife to check sharpness. To avoid injury, handle knives with extreme care.

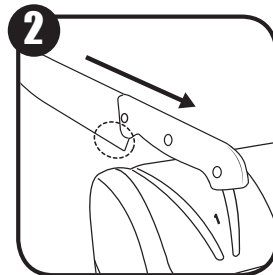
Never insert the tip of the knife into the blade guide first and push through. This could damage the knife sharpener and your knife.

After sharpening is completed, always wipe the knife blade with a damp cloth to remove any metal filings that may remain from the sharpening process.

2-STAGE KNIFE SHARPENING SYSTEM

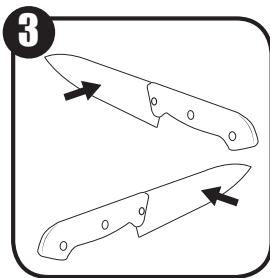


Each stage has 2 slots, one slot for each side of the blade.

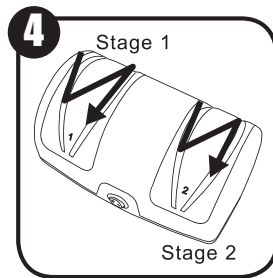


Insert the heel of the blade into the slot, then slowly pull the knife back towards you.

Slightly lift up on the handle as the curved portion is drawn through the slot.

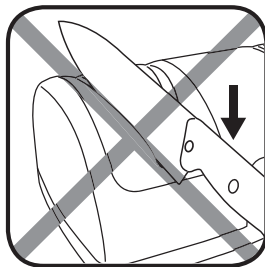


For even sharpening, be sure to run each side of the blade an equal number of times through each slot for each stage.



Stage 1: Draw the knife through the Stage 1 slots (alternating between the two slots) until the edge is sharp. Depending on the knife, this will usually take 3-4 passes for each side of the blade.

Stage 2: Finish the sharpening process by drawing the knife through the Stage 2 slots (alternating between the two slots) until the blade edge is smooth and polished. Depending on the blade, this step usually takes 3-4 passes for each side of the blade.



Do not apply downward pressure!

Let the sharpener do the work for you.

SPECIFICATIONS

Model	28D-1
Power Source	120V/60Hz
Output	60 watts

As our products undergo continual development and improvement, technical changes and changes to the product design are possible.

DISPOSAL



When the appliance has reached the end of its life, please be responsible with its disposal. This and other electrical appliances contain valuable material and can be dangerous to the environment if not disposed of properly. We ask that you follow the rules and regulations of your town as far as disposing of electric appliances. Please endeavor to take the appliance to an authorized recycling facility near you.



CONTACT

If you have any problems with this unit, please contact our customer service department at (888) 792-2360 or CustomerCare@thesecura.com

Please read operating instructions before using this product.

Please keep the original box and packaging materials in the event that service is required.

SECURA®

Manufacturer's Limited Warranty

The Manufacturer of the product warrants to the original purchaser of this product from an authorized reseller or distributor that this product will be free from defects in material and workmanship under normal use and service for 2 years after date of purchase. Manufacturer will, at its option, repair or replace with new or refurbished product. The manufacturer reserves the right, before having any obligation under this limited warranty, to inspect the damaged product, and all costs of shipping the damaged product for inspection and warranty service shall be borne solely by the purchaser.

The manufacturer's limited warranty is valid only in accordance with the following conditions:

1. The product is purchased directly from manufacturer or an authorized reseller. The warranty is not transferable, only the original purchaser is covered by this warranty.
2. This warranty is void if the product is used in a commercial or institutional establishment.
3. This warranty is void if the product has been subject to misuse, abuse, negligence, unauthorized modification or repair, or accident. Normal wear and tear are not covered by this warranty.
4. Purchaser must present acceptable proof of original receipt for the product.
5. This warranty does not affect any other legal rights you may have by operation of law.

Secura Inc.
CustomerCare@thesecura.com
Brookfield, Wisconsin. USA

SECURA®

Secura Inc.

Tel: 888-792-2360

CustomerCare@thesecura.com

www.thesecura.com

Brookfield, Wisconsin. USA

For warranty claims, please visit our website **www.thesecura.com**
to submit a warranty claim and provide proof of purchase