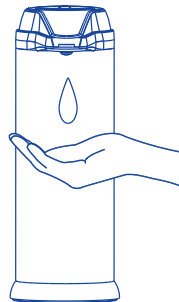


# SECURA®

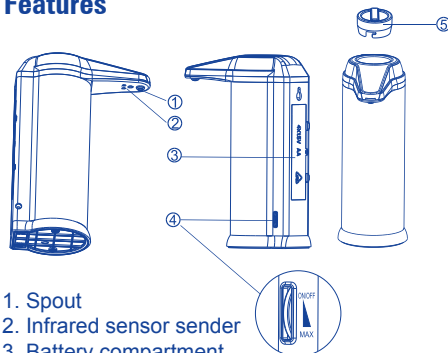
## Automatic Soap Dispenser

### User Manual

Model: ASD-500



#### • Features

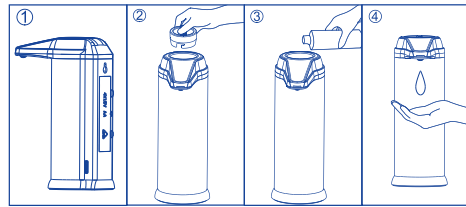


1. Spout
2. Infrared sensor sender
3. Battery compartment
4. On/Off Switch & Liquid Soap Volume Control
5. Container lid

#### • Technical Data

Dimension	L155*W85*H220mm/L6.1*W3.3*H8.7 in
Vol	500ml/16.9 oz.
Liquid dosage	1.0~5.5ml/0.03~0.19 oz.
Unit weight	420g/0.9 lb
Plastic material	ABS, PC
Battery type	1.5V "AA" alkaline
Rated volt	DC6V
Static current	60uA
Work current	250mA
Sensor range	0~7cm/0~2.75 in.

#### • Installation



1. Insert 4 "AA" batteries into the battery compartment according to the diagram in the battery compartment.
2. Open the container lid. (Figure 2)
3. Fill with liquid soap. (Figure 3)
4. Turn the On/Off switch to "On" and adjust the soap volume control to the middle of its setting.
5. Put your hand under the sensor within 0~2.75 in to let the dispenser start to work. (For first time use, repeat this process several times until the soap begins to dispense). (Figure 4)

#### • Liquid Soap Volume Control

1. The volume of liquid soap dispensed can be adjusted from 0.03~0.19 oz. by rotating the On/Off switch.
2. Rotating the On/Off switch towards the bottom of the dispenser will increase the amount of soap dispensed. Rotating it in the opposite direction will decrease the amount of soap dispensed.

#### • If Dispenser Doesn't Work

1. Make sure the batteries are placed in the battery compartment correctly and that they are fresh.
2. Check that the On/Off switch has been switched to the "On" position.

#### • If Soap is not Dispensed

1. If this is the first use of the dispenser, place your hand under the sensor (within 0~2.75 in) several times until the soap begins to flow out of the spout.

2. The liquid soap could become congealed in the spout or dispensing tube due to lack of use of the dispenser or cold/dry weather. If that is the case, pour out any soap remaining in the container, fill the container with warm soapy water and then operate the dispenser several times until the water begins to dispense from the spout. Pour out any remaining soapy water and refill the container with liquid soap.

#### • Attention

1. Place the dispenser on a flat, level surface.
2. If wall mounting, do not install the dispenser above a mirrored surface or close to running water, as this might cause it to activate unnecessarily.
3. This product is for indoor use. Exposure to direct sunlight will destroy the sensor system.
4. Use liquid soap with a low concentration of alcohol.
5. Avoid placing this product in areas where it could become covered in water.
6. Keep the liquid clean.
7. If you will not be using the dispenser for an extended period of time, empty the container of soap, clean the dispenser out and remove the batteries. Store it in a dry place.
8. Do not subject the On/Off switch to too much exposure to water.

#### • Cleaning

1. Clean the dispenser's surface with wet towel, battery compartment with dry towel.

Secura Inc.  
Tel: 888-792-2360  
CustomerCare@theseкура.com  
Brookfield, Wisconsin, USA  
www.theseкура.com

© 2016 SECURA INC.