

SECURA

AUTOMATIC BURR COFFEE GRINDER

MODEL:SCG-903B

USER MANUAL



www.thesecura.com

Welcome

Congratulations on purchasing our Secura Automatic Burr Coffee Grinder. Each unit is manufactured to ensure safety and reliability. Before using this appliance for the first time, please read the instruction manual carefully and keep it for future reference.

SECURA

Copyright © 2015 – Secura Inc. - All rights are reserved.

The material in this publication is protected under International and Federal Copyright Laws and Treaties, and as such, any unauthorized reprint or use of this material is strictly prohibited.

No part of this book may be reproduced or transmitted in any form without the written permission of the author, except for the inclusion of brief quotations in a review.

Reproduction or translation of any part of this work without the permission of the copyright holder is against the law.

IMPORTANT SAFEGUARDS

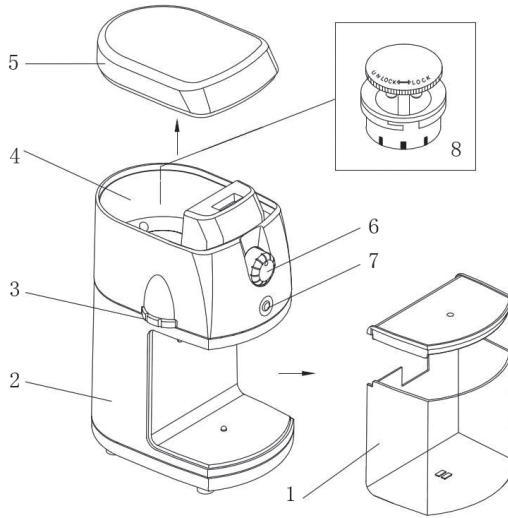
When using electrical appliances basic safety precautions should be always followed, including the following:

1. Read all instructions.
2. To protect against risk of electrical shock, do not immerse appliance, cord or plug in water or other liquid.
3. Unplug from outlet when not in use, before putting on or taking off parts or before cleaning.
4. Do not use the appliance for other than its intended use. Use only coffee beans in this appliance.
5. Do not use if there is any visible damage to the appliance or to the power cord.
6. A short cord is provided to reduce the accidents. Do not let cord hang over the edge of the table or counter, or touch hot surfaces.
7. Any servicing other than cleaning or user maintenance should be performed by an authorized service representative. If the supply cord is damaged. It must be replaced by the manufacturer or its service agent or a similarly qualified person in order to avoid a hazard.
8. This appliance is not intended for use by persons (including children) with reduced physical, sensory or mental capabilities, or lack of experience and knowledge, unless they have been given supervision or instruction concerning use of the appliance by a person responsible for their safety.
9. This appliance shall not be used by children. Keep the appliance and its cord out of reach of children.
10. Children should be supervised to ensure that they do not play with the appliance. Cleaning and user maintenance shall not be made by children unless they are aged from 8 years and above and supervised.

SAVE THESE INSTRUCTIONS
Household use only, not for commercial use.

SECURA AUTOMATIC BURR COFFEE GRINDER

PARTS IDENTIFICATION



- | | |
|---------------------------|-------------------------------------|
| 1. Ground Coffee Bin | 5. Hopper Lid |
| 2. Housing | 6. Quantity Control Dial/Self-Timer |
| 3. Grind Adjustment Wheel | 7. Start/Stop Button |
| 4. Hopper | 8. Grind Adjustment Ring |

BEFORE USE

Before using the appliance for the first time, or following periods of prolonged storage, it is necessary to clean the appliance thoroughly. See the Cleaning section.

Before switching on make sure that the voltage of your electricity supply is the same as that indicated on the rating plate.

USING YOUR COFFEE GRINDER

1. Lift the Hopper Lid off the Hopper. Place the desired quantity of coffee beans into the hopper, up to 100g. Replace the lid.

Note: Hopper Lid needs to be securely replaced in position otherwise the grinder won't turn on.

2. Slowly turn the Grind Adjustment Wheel to the desired setting. The fine setting is marked with number "4" on the Grinding Control Wheel and the coarse setting is marked with the number "0".

Note: Occasional there are beans stuck in the grinder. Please turn the Grind Adjustment Wheel whilst the appliance is operating.

3. Ensure that the Ground Coffee Bin is correctly located on the pedestal. Plug in the power to the appliance.

Note: There are safety switches located above and under the Ground Coffee Bin. The grinder won't turn on if Ground Coffee Bin is not securely placed in position.

SECURA AUTOMATIC BURR COFFEE GRINDER

4. Set the Quantity Control Dial/Self-Timer to the required setting. If the control is set to 12, it will grind for 55 seconds, enough coffee to serve 12 cups approximately. This should be used as a guide only, as it will vary depending upon taste, type and roast of bean and the grind selected. Intermediate settings will give a proportion of this time.

Note: Grind size setting will change the output volume of grounds. Fine setting will produce less grounds and course setting will produce more grounds when the same cup setting/timer is used.

Note: If the Quantity Control Dial/Self-Timer is set to “OFF”, the grinder won’t turn on.

5. Press the Start/Stop Button to start the grinder. The grinder will stop automatically when the selected volume/time has been reached. Alternatively, you may stop the grinding process at anytime by pressing the Start/Stop Button again.

6. Remove the Ground Coffee Bin and use the grounds as needed.

Note: There are coffee dust left on the grind chamber chute located behind the removable Ground Coffee Bin. Before removing the Ground Coffee Bin, pat on the grinder to allow more grounds fall into the Ground Coffee Bin.

HELPFUL GRINDING HINTS FOR BEST RESULTS

- Secura Burr Coffee Grinder is fully automatic. Select the correct grind for the brew process you are using, espresso, automatic drip, or French press. There are 17 grind settings available. Rotate Grind Adjustment Wheel to the left to select fine grind and to the right for coarse grind.
- Select fine grind for espresso (rotate Grind Adjustment Wheel to the left), medium grind for drip makers and coarse grind for French press or percolator.
- The actual grind size for a particular setting will vary depending on many factors, including: degree of roast (light vs. dark), freshness, humidity, type of bean, oil content, etc. With use, you will discover which setting best meets your taste, brewing style and other personal coffee-making preference.
- For optimum freshness of your coffee beans, do NOT store in the bean hopper for extended periods of time.
- To avoid overheating the motor, do not grind more than 2 full whole bean hoppers or 2 full 12-cup cycles without a break. Allow the motor to cool to room temperature at least 2 minutes between cycles.
- The Hopper Lid and Ground Coffee Bin must always be in place when using this appliance.
- Use only coffee beans in this appliance.

CLEANING

Switch off and remove the plug from the power supply. Do not clean the appliance under running water and never immerse it in water.

To clean, wipe the appliance with a damp cloth and then with dry one. Brush away any coffee that may have accumulated around the ground coffee outlet.

The Hopper Lid and Ground Coffee Bin may be washed in hot soapy water and then dry thoroughly.

The top Grind Adjustment Ring can be removed by turning the Ring clockwise. Brush the grind head free of coffee residue using a clean dry brush. To replace the Grind Adjustment Ring, turn anti-clockwise until finger tight.

REPLACEMENT PARTS

- Grind Adjustment Ring
- Hopper Lid
- Ground Coffee Bin
- Cleaning Brush

SPECIFICATIONS

Model #	SCG-903B
Voltage	120V 60Hz
Wattage	110W
Dimension	6" x 4" x 8.75"

SECURA

Manufacturer's Limited Warranty

The Manufacturer of the product warrants to the original purchaser of this product from an authorized reseller or distributor that this product will be free from defects in material and workmanship under normal use and service for 1 year after date of purchase. Manufacturer will, at its option, repair or replace with new or refurbished product. The manufacturer reserves the right, before having any obligation under this limited warranty, to inspect the damaged product, and all costs of shipping the damaged product for inspection and warranty service shall be borne solely by the purchaser.

The manufacturer's limited warranty is valid only in accordance with the following conditions:

1. The product is purchased directly from manufacturer or an authorized reseller. The warranty is not transferable, only the original purchaser is covered by this warranty.
2. This warranty is void when the product is used in a commercial or institutional use.
3. This warranty is void if the product has been subject to misuse, abuse, negligence, unauthorized modification or repair, or accident. Normal wear and tear are not covered by this warranty.
4. Purchaser must present acceptable proof of original receipt for the product.
5. This warranty does not affect any other legal rights you may have by operation of law.

Secura Inc.
CustomerCare@thesecura.com
Brookfield, Wisconsin. USA

SECURA

Secura Inc.

Tel: 888-792-2360

CustomerCare@thesecura.com

www.thesecura.com

Brookfield, Wisconsin, USA

For warranty claims, please visit our website www.thesecura.com
to submit a warranty claim and provide proof of purchase