

# SECURA®

## *Manufacturer's Limited Warranty*

The Manufacturer of the product warrants to the original purchaser of this product from an authorized reseller or distributor that this product will be free from defects in material and workmanship under normal use and service for 2 years after date of purchase. Manufacturer will, at its option, repair or replace with new or refurbished product. The manufacturer reserves the right, before having any obligation under this limited warranty, to inspect the damaged product, and all costs of shipping the damaged product for inspection and warranty service shall be borne solely by the purchaser.

The manufacturer's limited warranty is valid only in accordance with the following conditions:

1. The product is purchased directly from manufacturer or an authorized reseller. The warranty is not transferable, only the original purchaser is covered by this warranty.
2. This warranty is void if the product is used in a commercial or institutional establishment.
3. This warranty is void if the product has been subject to misuse, abuse, negligence, unauthorized modification or repair, or accident. Normal wear and tear are not covered by this warranty.
4. Purchaser must present acceptable proof of original receipt for the product.
5. This warranty does not affect any other legal rights you may have by operation of law.

Secura Inc.  
CustomerCare@thesecura.com  
Brookfield, Wisconsin. USA

# SECURA®

Secura Inc.  
Tel: 888-792-2360  
CustomerCare@thesecura.com

***www.thesecura.com***

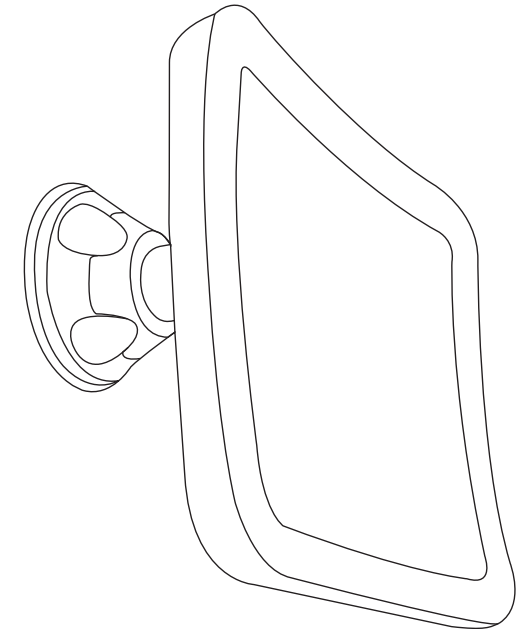
Brookfield, Wisconsin. USA

# SECURA®

Square 7X Magnifying Makeup Mirror,  
Battery Operated LED lighting and Locking Suction Cup

**MODEL: 060QR**

USER MANUAL



***www.thesecura.com***

For warranty claims, please visit our website **www.thesecura.com**  
to submit a warranty claim and provide proof of purchase

**SAVE THESE INSTRUCTIONS**  
**Household use only, not for commercial use.**

## INTENDED USE

The square makeup mirror is equipped with a powerful swivel suction cup on the base that locks onto a flat surface for easy adjustment to almost any angle. It is easily attached and removed by slightly twisting the suction base. The battery operated LED lighting provides "daylight like" illumination for ease of makeup application and the 7X magnifying mirror, with its 7.1 inch diagonally measured mirror, allows you to see every detail of your face.

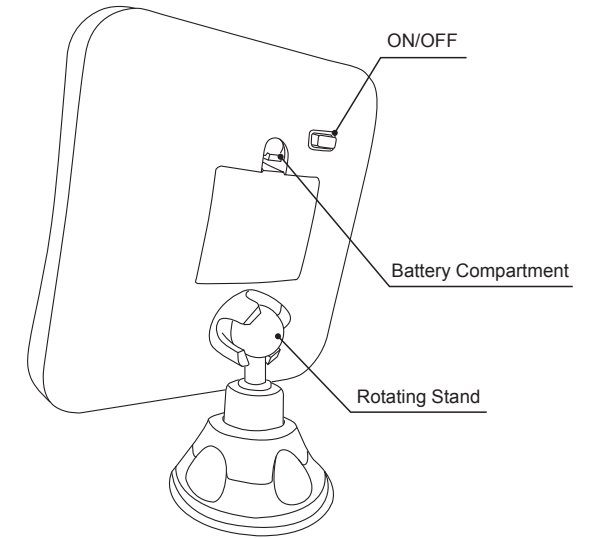
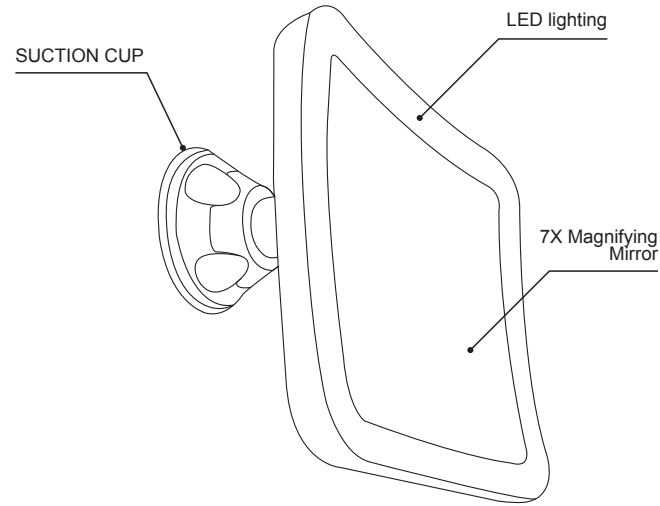
## DESCRIPTION

- Material: PS+GLASS
- Size: (5.2in\*5.2in\*7.1in)
- 3 AA batteries required (not included)
- Magnification: 7x
- 16 LED lights
- ON/OFF switch
- One Powerful Twist Suction Cup
- 360° Rotating Stand
- Weight: 10.7 oz. w/o batteries

## INSTRUCTIONS FOR ATTACHING THE MIRROR TO A FLAT SURFACE

1. Ensure the suction mechanism is completely unlocked by turning the upper part of the suction base in a counter clockwise direction.
2. Hold the Mirror against the surface you wish to attach it to, firmly grasp the lowest portion of the base and twist the rotating portion of the base in a clockwise direction until it won't turn any further. The base should now be firmly attached to the surface.
3. Press the button on the backside of the Mirror to turn the LED lights ON/OFF.
4. To remove the Mirror, grasp the bottom of the base and twist the rotating portion of the suction mechanism in a counter clockwise direction. The Mirror should easily come free from the surface.

## PARTS IDENTIFICATION



## BATTERIES - NOT included

To install batteries, remove the battery cover from the back side of the mirror by pressing down on the latch and sliding the battery cover out. Insert 3 AA batteries with terminals(+ -) properly aligned. Alkaline batteries are recommended for their long life. Place the cover back on.

Do not throw batteries into a fire, always dispose of batteries as per local and government regulations.

## CARE

- Clean the mirror with any dry soft cloth, the suction cup can be cleaned with a damp cloth.
- **Do not immerse the Mirror in water.**
- **Do not use harsh or abrasive cleaners on the Mirror surface or any portion of the base.**
- **Never expose the magnifying mirror to direct sunlight, reflected sunlight may start a fire.**

## OTHER USEFUL INFORMATION

**Do not immerse the power base in water or any other liquid.**

### Disposal

When the appliance has reached the end of its life, please be responsible with its disposal. This and other electrical appliances contain valuable material and can be dangerous to the environment if not disposed of properly. We ask that you follow the rules and regulations of your town as far as disposing of electric appliances. Please endeavor to take the appliance to an authorized recycling facility near you.