



Secura O₃ Facial & Hair Steamer

**OPERATING
INSTRUCTIONS**

MODEL: S-192



Before operating this unit, please read these instructions thoroughly. Save this manual for future reference.



Copyright © 2010 – Secura Inc. - All rights are reserved.

The material in this publication is protected under International and Federal Copyright Laws and Treaties, and as such, any unauthorized reprint or use of this material is strictly prohibited.

No part of this book may be reproduced or transmitted in any form without the written permission of the author, except for the inclusion of brief quotations in a review.

Reproduction or translation of any part of this work without the permission of the copyright holder is against the law.

Table of Contents

COPYRIGHT NOTICE	1
TABLE OF CONTENTS	2
INTRODUCTION	3
WARNING	3
PARTS	4
BEFORE USE	5
ASSEMBLED COMPONENT NAMES	6
REMOVAL AND INSTALLATION OF CUP	6
ADDING WATER	7
REMOVING CONDENSTAION	7
FACIAL STEAMER ASSEMBLY	8
OPERATING INSTRUCTIONS	8
MANUFACTURER'S LIMITED WARRNTY	9

Introduction

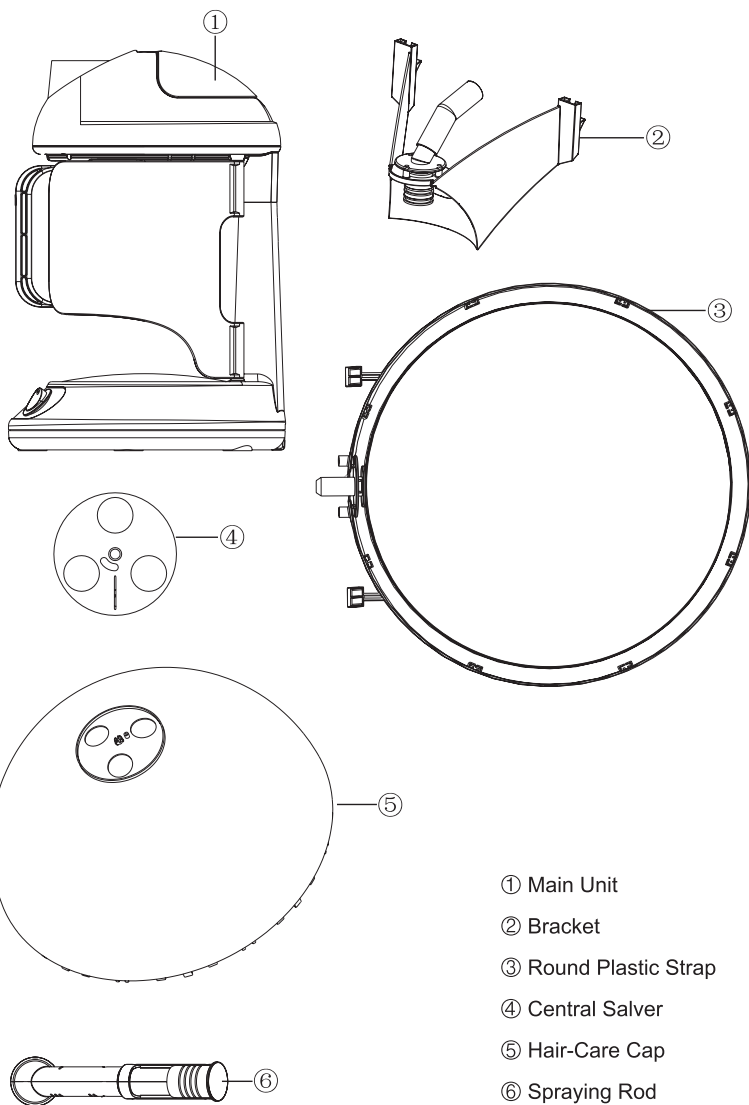
The Secura O₃ Facial & Hair Steamer is an applied beauty care instrument that is useful for the whole family. This type of instrument is commonly seen in the top hair salons. The sprayer is designed to speed up the pace of hair dyeing through generated O₃. This also helps to allow nutrition absorption for healthier hair. In addition, this O₃ production helps to aid in the prevention of dandruff.

The hair steamer is quite easy to use. In fact, it has the added convenience of the ability to be used as a vapor instrument. You only need to swap out the spraying pole. This means that you have a versatile beauty tool for both hair and cosmetology.

Warning

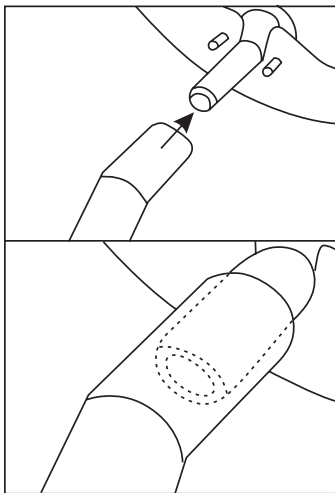
1. When the product is not in use, please unplug from the wall outlet. Always unplug by grasping the actual plug and not by pulling on the electrical cord. Failure to do so may lead to injury, accident or fire.
2. Do not modify the cord in any way and do not cut or damage it. Do not use unnecessary force to pull or twist the cord. When storing the product, do not wind the cord around it. This could lead to damage which could cause fire or injury through electric shock. If you notice any damage to the cord, discontinue use of the product immediately.
3. If the cord becomes hot during product use, discontinue use immediately. This issue could lead to short circuiting, which could cause product damage or injury.
4. Do not use this product in close vicinity of flammable materials like benzene, paint thinners, or aerosol sprays. Failure to follow this could lead to fire or explosion.
5. Do not allow the product to be wet during use. Do not operate the product if your hands are wet. Only operate product with dry hands or you could experience electrical shock.
6. Do not store this product near open water, such as bathtubs, washbasins or sinks. Submersion in water or exposure to high humidity can lead to electric shock, fire, or deterioration of product. Never submerge this product in water.
7. Keep this product away from children and out of the reach of children. It is not meant to be played with. Failure to do so could lead to electric shock, burns or further injury to the child.
8. Do not add anything other than water to the water tank. Do not start the steamer with no water inside or if the water level is too low in the water tank. Otherwise, the automatic alarm will cutoff the power to the steamer.
9. Please do not turn over or tilt steamer while in use.
10. Water tank should be washed and replaced with new water each time. Before refilling with new water, unplug the steamer.
11. If you do not use the steamer for a long time, drain the old water and replace with fresh water.

Parts

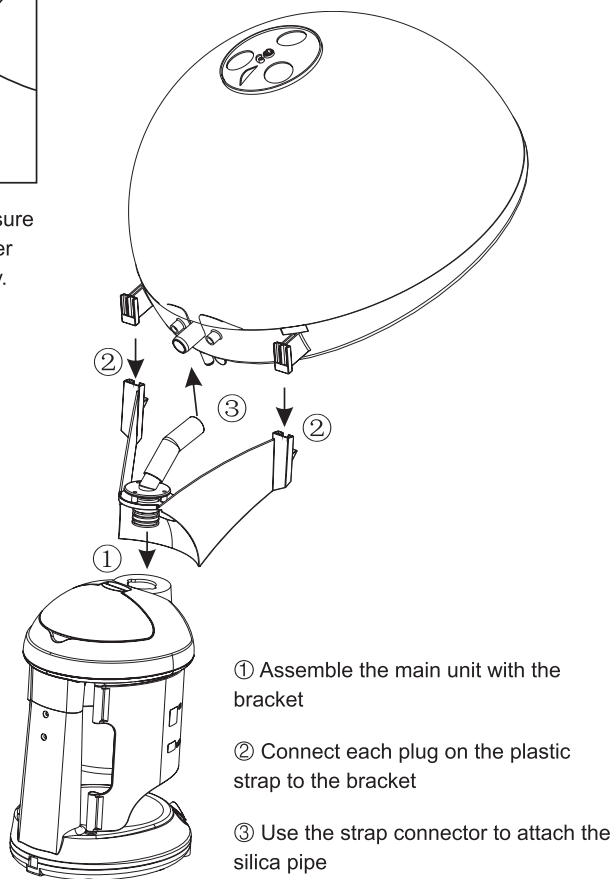


- ① Main Unit
- ② Bracket
- ③ Round Plastic Strap
- ④ Central Salver
- ⑤ Hair-Care Cap
- ⑥ Spraying Rod

Before Use

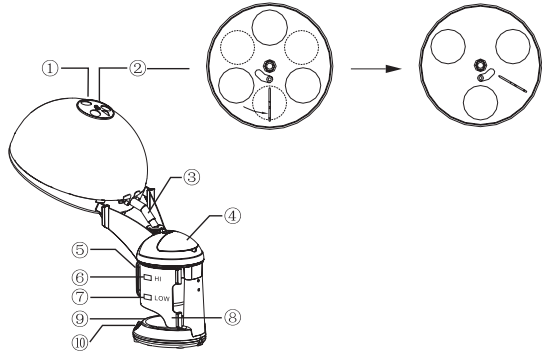


When connecting the pipe, be sure the connection is secure in order for the product to work correctly.

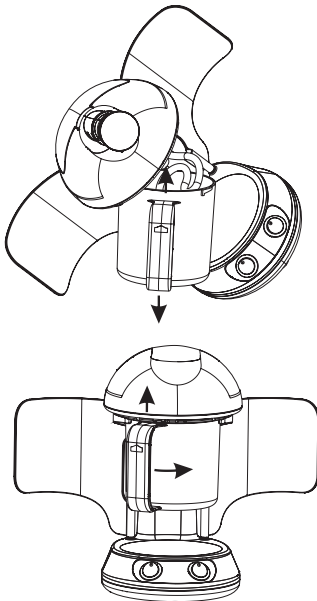


Assembled Component Names

- ① Hair-Care Cap
- ② Steam Outlet – used for temperature adjustment purposes
- ③ Connective Pipe
- ④ Cover – used for adding water
- ⑤ Cup
- ⑥ Maximum Water Line
- ⑦ Minimum Water Line
- ⑧ Protective Holder
- ⑨ On/Off Button for Sprayer
- ⑩ On/Off Button for Ozone



Removal and Installation of Cup

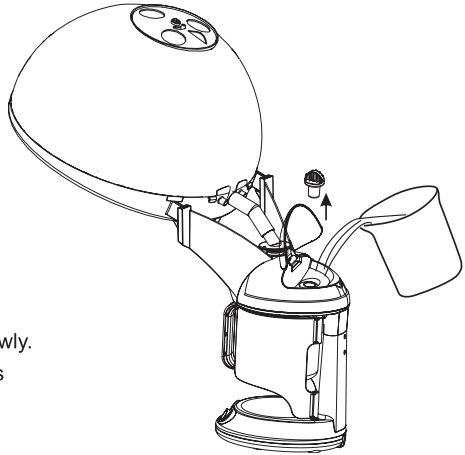


① Please see the illustration for details on removing or installing the cup.

② While holding the cup with one hand, push the cup up and rotate to the right simultaneously. The handle of the cup should reach a center position.

Adding Water

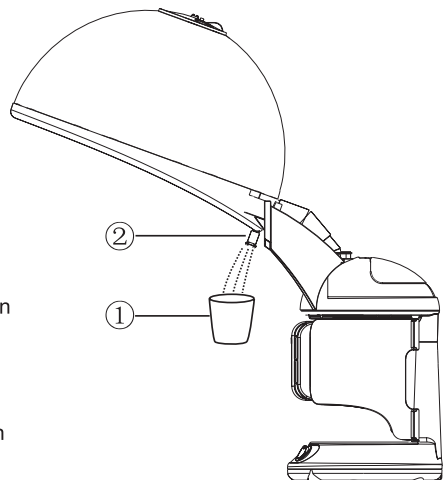
To add water, open the cover and remove the plug. As shown in the illustration, add water slowly. Do not exceed the maximum fill line. This line is indicated in red.



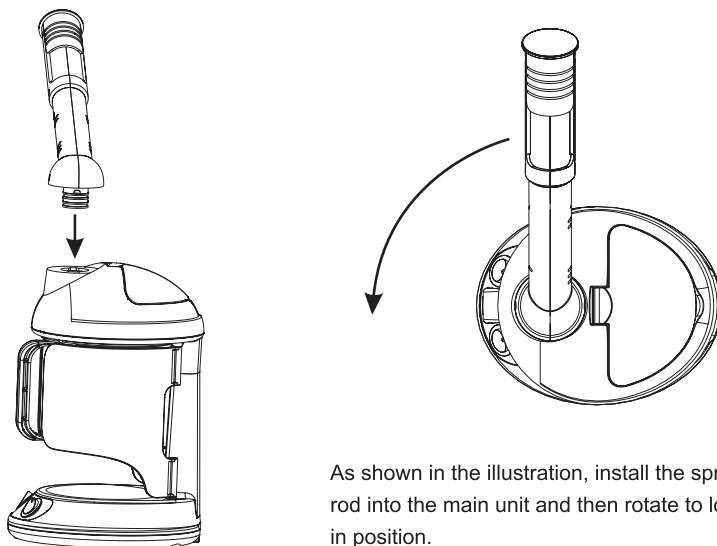
Removing Condensation

After each use of the hair steamer, the condensed water will need to be removed. Follow these steps to do this.

- ① Place the cup under water spout as indicated in the illustration.
- ② Remove the silicon plug
- ③ After the water has emptied, replace the silicon plug and discard the water now in the cup.



Facial Steamer Assembly



As shown in the illustration, install the spray rod into the main unit and then rotate to lock in position.

Operating Instructions



- ① First, place the steamer on a sturdy surface such as a table. Then, add water and connect the power adaptor. Do not over-fill above the Maximum Water Line.
- ② Switch on the Sprayer and Ozone, and allow it to spray with the Hair-Care Cap on for 3-5 minutes.
- ③ Place cap over the client's head and adjust the chair in order to provide the most comfort to the client during use.



Manufacturer's Limited Warranty

The Manufacturer of the product warrants to the original purchaser of this product from an authorized reseller or distributor that this product will be free from defects in material and workmanship under normal use and service for 1 year after date of purchase. Manufacturer of this product will, at its option, repair or replace with new or refurbished product. The manufacturer reserves the right, before having any obligation under this limited warranty, to inspect the damaged product, and all costs of shipping the damaged product for inspection and warranty service shall be borne solely by the purchaser.

The manufacturer's limited warranty is valid only in accordance with the following conditions:

1. The warranty is not transferable, only the original purchaser is covered by this warranty. The product is purchased directly from manufacturer or an authorized reseller.
2. This warranty is void when the product is used in a commercial or institutional use.
3. This warranty is void if the product has been subject to misuse, abuse, negligence, unauthorized modification or repair, or accident. Normal wear and tear are not covered by this warranty.
4. Purchaser must present acceptable proof of original receipt for the product.
This warranty does not affect any other legal rights you may have by operation of law.

Manufactured by
Secura Inc.
Brookfield, Wisconsin, USA
CustomerCare@thesecura.com

Secura Bestsellers

Secura Turbo Oven 777MH & 798DH



Secura Turbo Oven Mini CO-05MH & CO-05DH



Secura Stainless Steel
Food Steamer



Secura 4.2L Triple-Basket
Deep Fryer



Duxtop Induction Cooktop 8100MC & 8300ST



Secura Ice Cream Maker with Self-
Refrigerating Compressor



Duxtop Whole-clad Tri-ply Premium
cookware set



Secura Hot & Cool Mist Ultrasonic
Facial Steamer

